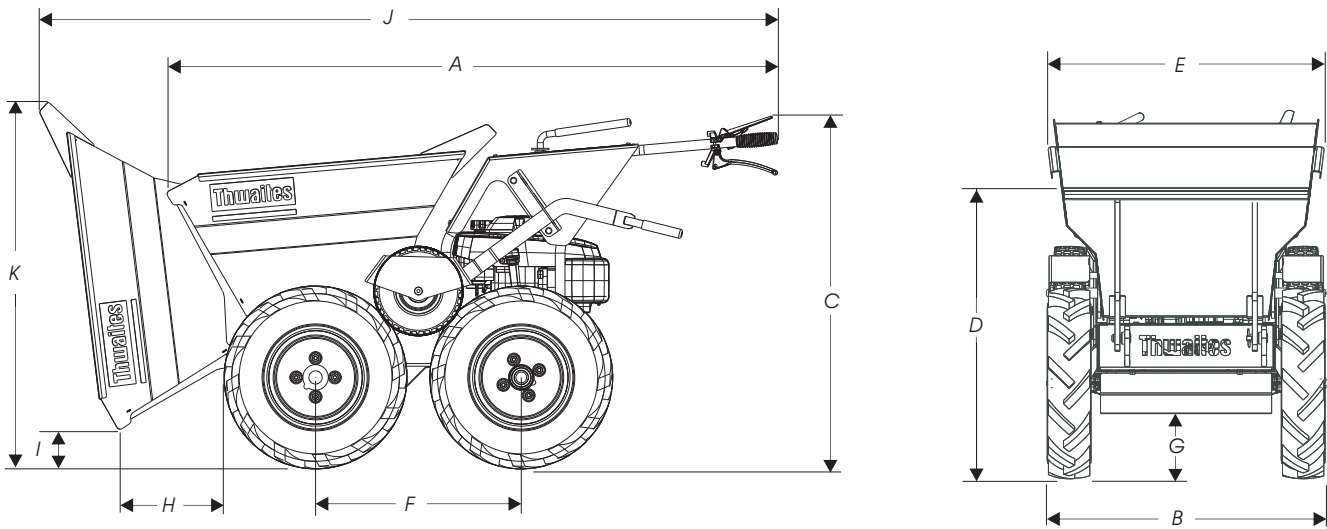


► SPECIFICATIONS

# Micro Dumper



Dimensions (mm)			
A	1600	G	165
B	700	H	285
C	925	I	105
D	725	J	1935
E	692	K	960
F	540		

Capacities	Max. safe load	300 kg
	Heaped	145 litres
	Struck	115 litres
	Water	85 litres

**Engine**  
 Honda GXV160, 3.2 kW/4.3 bhp (nett) @ 3600 rpm, single-cylinder air-cooled petrol. Max torque 9.6 Nm (7.1 lb f ft). 4 stroke OHV commercial engine, 163cc displacement. EPA/CARB compliant.

**Noise Levels**  
 Airborne sound power level 101 LwA (to 2000/14/EC)

Speeds	Forward: 6 km/h
	Reverse: 2.5 km/h

Tyres	4.00-10
	4 ply
	Track-grip tread

**Brakes**  
 Automatic failsafe park brake incorporated into transaxle.

**Chassis**  
 Chassis constructed from 3mm folded steel plate.

**Drive System**  
 Peerless transaxle, four forward & one reverse gear. V belt / pulley driven.

**Skip**  
 2 mm steel, fully welded inside, mouth of skip reinforced giving greater strength to minimise skip damage. No material traps.

**Controls**  
 Hand operated control consisting of a forward/reverse lever, park brake release, clutch lever, skip tip lever and thumb operated throttle lever enabling full throttle control on the move without having to let go of the handles.

Fuel Tank capacity	1.8 litres
Shipping Cube	1.25 m <sup>3</sup>
Unladen Weight	160 kg



Thwaites Ltd. Leamington Spa, Warwickshire CV32 7NQ, England  
 Tel +44 (0)1926 422471 Fax +44 (0)1926 337155  
 www.thwaitesdumpers.co.uk



We reserve the right to change all specifications without prior notice.  
 Printed in England 09/2007